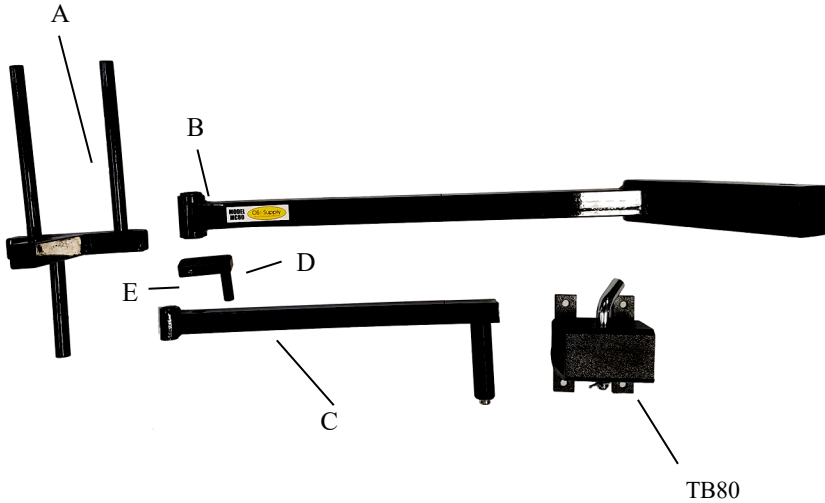




Large Diameter Hose Coiler Model MC80



Assembly Instructions:

Loosen set screws (part E) on part D

Remove part D from part A

Insert part A through part B

Slide part D onto part A

Tighten set screws (part E) onto flat planes of part A

Align two holes on part C with the rods on part A and D

Slide Handle (part C) into place

Your MC80 is now assembled and ready for use

This Unit comes with a tailboard mount.

securely bolt the mount to the tail board or any sturdy horizontal mounting surface.

Place the coiler into the mount. Insert the pin through the hole in the mount to secure the coiler to the mount.

Insert the coupling between the fork, coupling facing up. Turn handle to roll hose.

WARNING!!!

AS THE TAIL END OF THE HOSE COMES UP OFF OF THE GROUND IT MAY SWING UP AND STRIKE THE OPERATOR IN A DANGEROUS MANNER UNLESS PRECAUTIONS ARE OBSERVED. IT IS RECOMMENDED THAT PRIOR TO THE TAIL END LEAVING THE GROUND THE OPERATOR COME TO A COMPLETE STOP, AND SECURE THE END WITH THE FREE HAND WHILE COMPLETING THE ROLL SLOWLY AND WITH CAUTION!



253-C 42nd Street SW Loveland CO 80537
Phone: 970-663-4966 - Sales@cssupplyinc.com - www.CSSupplyinc.com



HOSE COILERS

Saving firefighters backs since 1996

MC40 & MC65

- Designed to make easy work out of coiling 1" to 3" hose under any condition
- Folds up for small storage and easy transportation
- Capable of Dutch rolls
- Mounting bracket (MB) included
- Trailer Hitch and Wildland Mounting Brackets available for more flexibility in where hose can be coiled, see below



MC80

- Designed to make easy work out of coiling 4" to 7" hose
- Attaches to the Hitch Receiver of a pickup or the Tailboard of a truck
- Comes with a Tailboard Mounting bracket (TB80)
- Constructed of heavy gauge steel, for superb durability



MC40

- Rolls 1"- 1 1/2" hose
 - MB mount included
- Wt: 6.5 lbs.



MC80

- Rolls 4" to 7" hose
- Comes with both a TB80 and a TH80 mount included

Wt: 10 lbs.



MC65

- Rolls 1 1/2" to 3" hose
 - MB mount included
- Wt: 7 lbs.

MB

- Additional Square Mount for the MC40 or MC65 Coilers. The Square Mount can be bolted to any Vertical surface

Wt: 1 lb.



THMB

- The THMB (Trailer Hitch Mounting Bracket) makes for quick field setup, use, and breakdown of the MC40 or MC65 Hose Coilers. It slides into any class 4 (2") hitch receiver tube

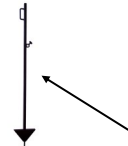
Wt: 5 lbs.



WLMB

- The WLMB (Wild Land Mounting Bracket) is great for remote use where finding a place to mount the MC40 or MC65 can be tricky. Simply drive the mount into the ground roll up the hose

Wt: 6 lb.



TB80

- Extra mount for the MC40, MC65, or MC80 bolts to the Tailboard so hose can be directly loaded into the hose bed of the engine. The Tailboard does not just have to mount to the tailboard. It can be bolted to any sturdy horizontal surface. The TB80 is newly designed to work with the MC40/65

NOTE: To use with the MC40 or MC65 the THMB will also be needed.

Wt: 2 lbs.



253-C 42nd Street SW Loveland CO 80537
Phone: 970-663-4966 - Sales@cssupplyinc.com - www.CSSupplyinc.com

VIDEOS ONLINE
<https://www.cssupplyinc.com/videos>

