

CONSTANT FLOW NOZZLE TIPS

- Feature a rugged and durable lightweight hard anodized aluminum construction
- Built with Stainless Steel internal components for superior performance
- Rubber Bumper offers additional protection and excellent grip stability for gloved hands
- Adjustable from fog to straight stream including a twist shutoff
- Available in NST, NPSH, and GHT Threads
- Add a C & S Supply, Inc. shut off to any nozzle tip to make a custom “Combo” nozzle

Constant Flow Nozzles



130

115

1", 15 GPM

130

1", 30 GPM

130BL

1", 30 GPM Bumperless

130GHT

1", 30 GPM GHT

130BL GHT

1", 30 GPM Bumperless GHT

Wt: 1 Lb.

Lt: 4"



130BL



15100

1560

1.5", 60 GPM

15100

1.5", 100 GPM

Wt: 1 Lb.

Lt: 5"



1560

Make a Custom Combination Nozzle

Just add a 1" or 1.5" Shutoff
To any nozzle tip

Choose your best option!

- Bumpered
- Bumperless
- Pistol Grip
- Composite Handle
- Metal Handle
- NST or NPSH



ST1530PV



SB-VIP-15



VB1560-M



SBV10SS



SBV15SS



VB3012-M

C & S Supply

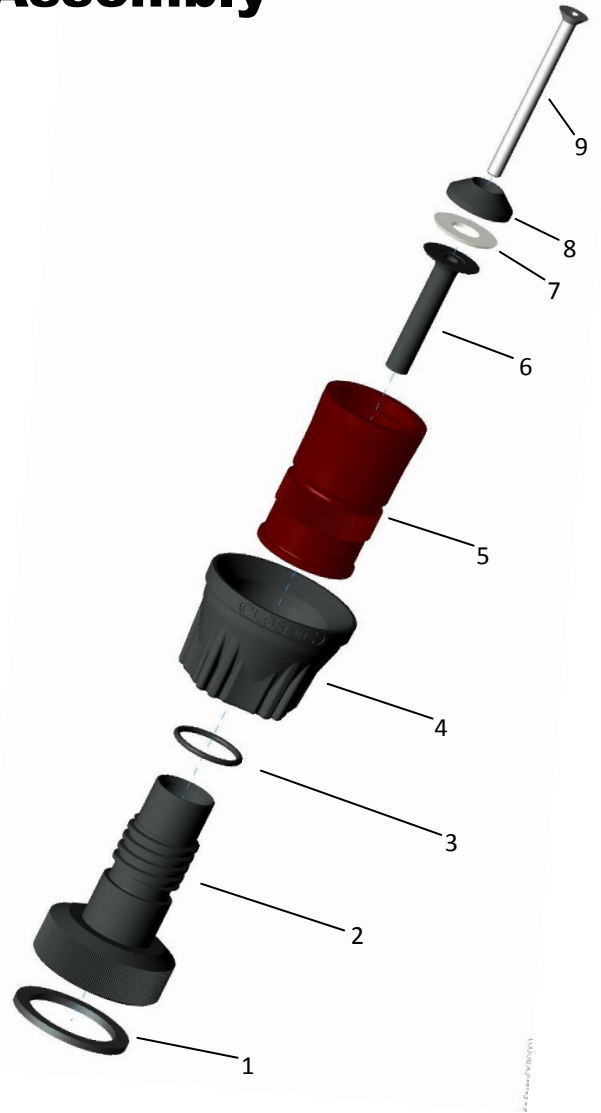
QUALITY AFFORDABLE PRODUCTS

3842 Redman Dr. Fort Collins CO 80524

Phone: 888-663-4966 - Fax: 970-663-4966 - www.cssupplyinc.com

Nozzle Parts and Assembly

1.5" Constant and Dual Range			
ITEM	QTY	DESCRIPTION	MATERIAL
1	1	GASKET, 1.5"	SBR-70-BLACK
2A	1	MAIN BARREL, 1.5" NST	6061-T6 ALUM
2B	1	MAIN BARREL, 1.5" NPSH	6061-T6 ALUM
3	1	O-RING, 121	BUNA-70
4	1	BUMPER	SANTOPRENE
5A	1	OUTER BARREL, DUAL 1560/20	6061-T6 ALUM
5B	1	OUTER BARREL, DUAL 1590/20	6061-T6 ALUM
5C	1	OUTER BARREL, CONSTANT 1560	6061-T6 ALUM
5D	1	OUTER BARREL, CONSTANT 15100	6061-T6 ALUM
6A	1	HEAD, REAR, 60	6061-T6 ALUM
6B	1	HEAD, REAR, 100	6061-T6 ALUM
7A	1	HEAD, SEAL, 60	ACETAL
7B	1	HEAD, SEAL, 100	ACETAL
8A	1	HEAD, FRONT, 60	6061-T6 ALUM
8B	1	HEAD, FRONT, 100	6061-T6 ALUM
9	1	SCREW, 1/4"-20 X 3.25"	303 STAIN STL



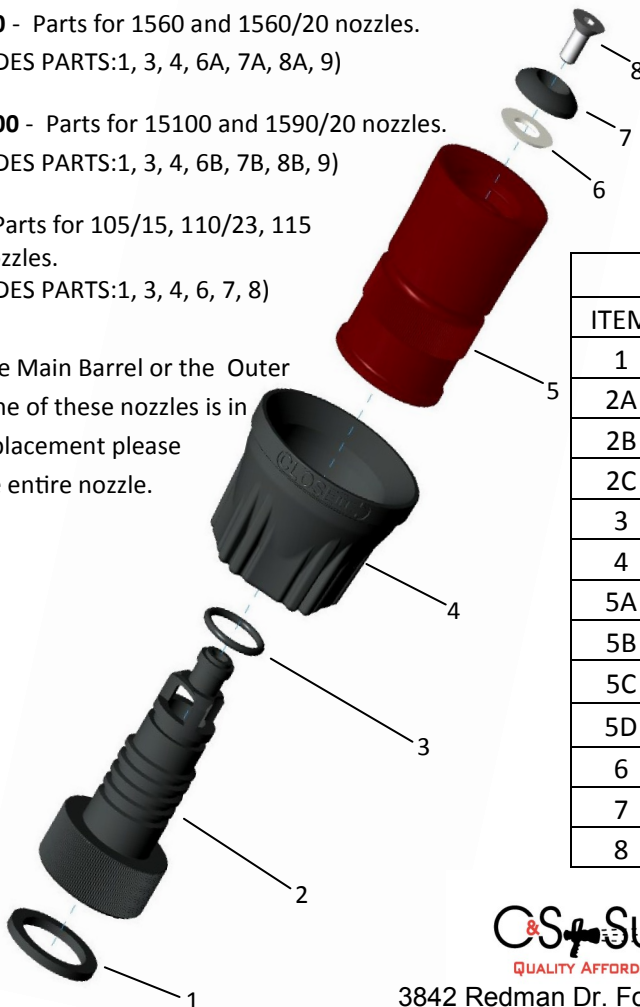
Repair parts can be ordered in the following kits:

15TIP-RK60 - Parts for 1560 and 1560/20 nozzles.
(KIT INCLUDES PARTS:1, 3, 4, 6A, 7A, 8A, 9)

15TIP-RK100 - Parts for 15100 and 1590/20 nozzles.
(KIT INCLUDES PARTS:1, 3, 4, 6B, 7B, 8B, 9)

1TIP-RK - Parts for 105/15, 110/23, 115 and 130 nozzles.
(KIT INCLUDES PARTS:1, 3, 4, 6, 7, 8)

NOTE: If the Main Barrel or the Outer Barrel of one of these nozzles is in need of replacement please replace the entire nozzle.



1" Constant and Dual Range			
ITEM	QTY	DESCRIPTION	MATERIAL
1	1	GASKET, 1"	SBR-70-BLACK
2A	1	MAIN BARREL, 1" NST	6061-T6 ALUM
2B	1	MAIN BARREL, 1" NPSH	6061-T6 ALUM
2C	1	MAIN BARREL, .75" GHT	6061-T6 ALUM
3	1	O-RING, 117	BUNA-70
4	1	BUMPER	SANTOPRENE
5A	1	OUTER BARREL, DUAL 110/23	6061-T6 ALUM
5B	1	OUTER BARREL, DUAL 105/15	6061-T6 ALUM
5C	1	OUTER BARREL, CONSTANT 130	6061-T6 ALUM
5D	1	OUTER BARREL, CONSTANT 115	6061-T6 ALUM
6	1	HEAD_1_0_SEAL	ACETAL
7	1	HEAD_1_0	6061-T6 ALUM
8	1	SCREW, 1/4"-20 X 5/8"	303 STAIN STL

CS Supply
QUALITY AFFORDABLE PRODUCTS

3842 Redman Dr. Fort Collins CO 80524

Phone: 888-663-4966 - Fax: 970-663-4966 - www.cssupplyinc.com