

HGV25

HYDRANT VALVE WITH A TWIST

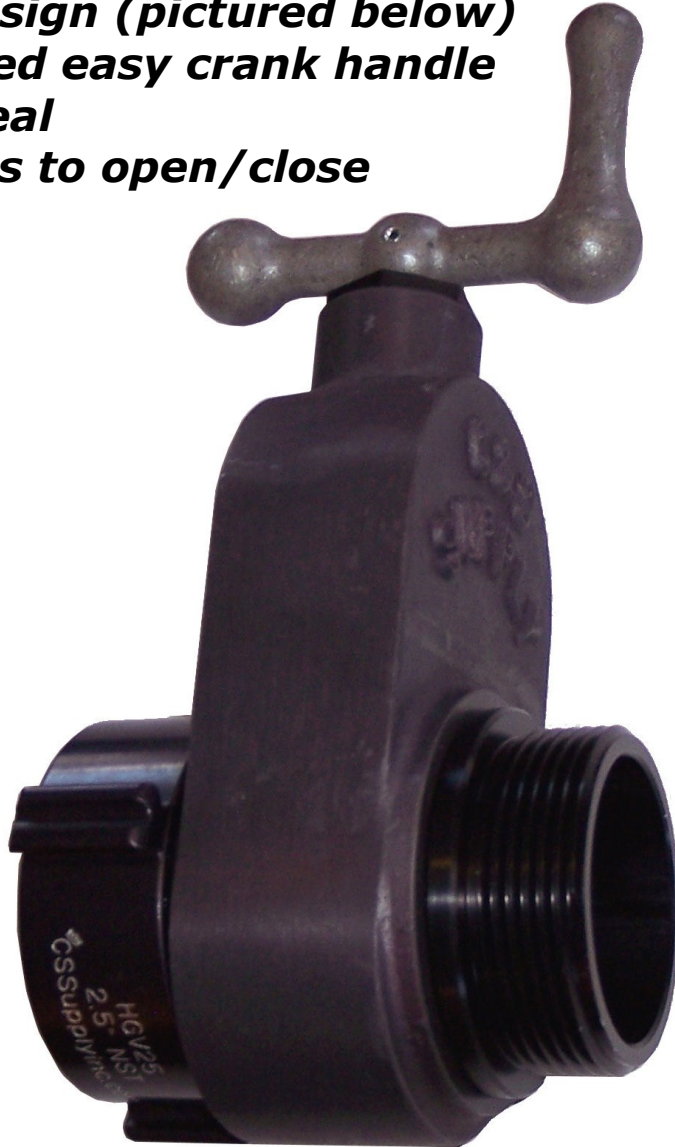
Features

- **Lightweight aluminum construction**
- **Hard anodized**
- **Stainless steel non-rising stem**
- **Innovative self adjusting ball and socket gate design (pictured below)**
- **Durable 'L' shaped easy crank handle**
- **Metal to Metal seal**
- **Approx. ten turns to open/close**
- **Made in the USA**

Swivel: 2.5" NST

Height: 11.4"

Weight: 4.5lbs.



CS & Supply
QUALITY AFFORDABLE PRODUCTS

3842 Redman Dr. Fort Collins CO 80524
Phone: 888-663-4966 - Fax: 970-663-4966 - www.cssupplyinc.com

HGV25

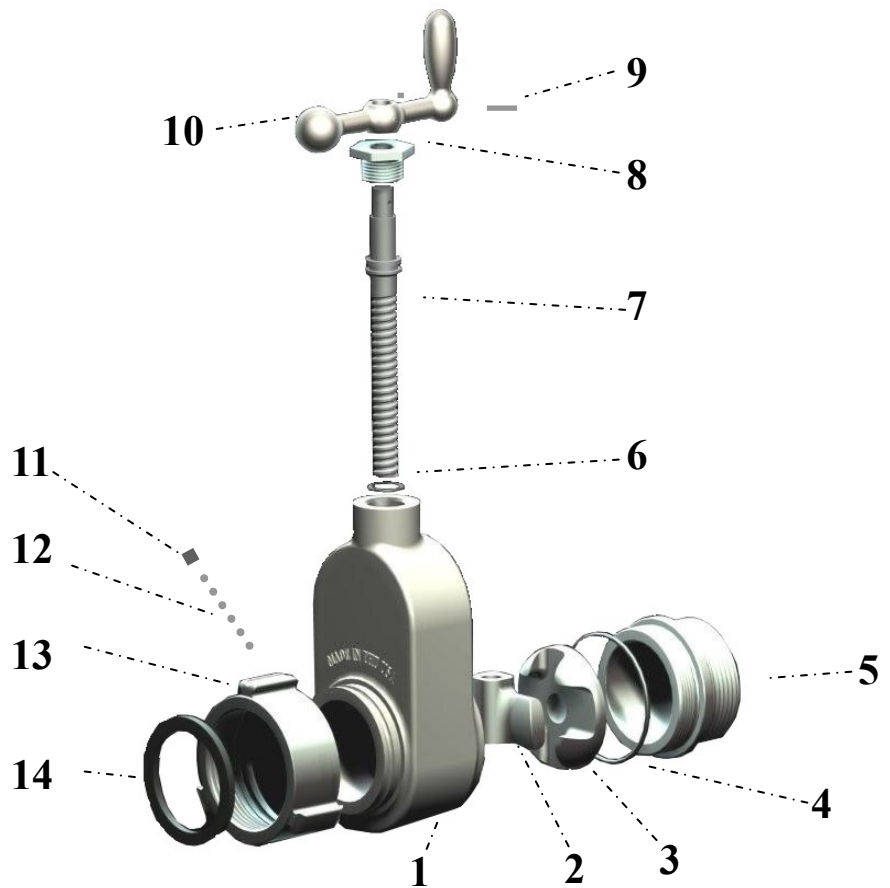
⚠ DANGER

**PLEASE BE RESPONSIBLE!
PLEASE BE CAREFUL!**

THE USER OF THIS EQUIPMENT IS PERSONALLY RESPONSIBLE FOR THE FOLLOWING:

1. You need to know and understand that Fire-fighting and Emergency response is dangerous and proper training is needed.
2. You need to be physically fit and skillful in the use of any equipment that you may need to use.
3. You need to know that your equipment is in proper working order.
4. You need to know carelessness or negligence may result in injury or death.

**PLEASE BE RESPONSIBLE!
PLEASE BE CAREFUL!**



USE:

- 10-12 turn open and close reduces risk of water hammer.
- Turn the handle counter clockwise to OPEN the valve.
- Turn the handle clockwise to CLOSE the valve.
- When valve is positively shut, turn the handle counter clockwise 1/2 rotation to prevent jamming, once the water pressure is released.

Maintenance:

- Test the valve before putting it into service.
- Clean the valve by flushing with water after use.
- Use non-detergent soap to clean dirt from the exterior to reduce wear.
- Regularly check the valve and re-grease seal surface and shaft threads periodically.
- Periodically service your valve or have your fire equipment dealer service it.

Ref.	Part #	Part Name
1	1600	Body
2	1601	Gate Guide
3	1602	Gate
4	1612	Discharge O-ring
5	1604	Discharge Coupling
6	1613	Shaft O-ring
7	1605	Shaft
8	1606	Shaft retaining nut
9	1608	Roll Pin
10	1609	Handle
11	1610	Set Pin
12	1611	Ball Bearings
13	1603	Swivel Coupling
14	1607	Inlet Gasket

CS Supply
QUALITY AFFORDABLE PRODUCTS

3842 Redman Dr. Fort Collins CO 80524
Phone: 888-663-4966 - Fax: 970-663-4966 - www.cssupplyinc.com